

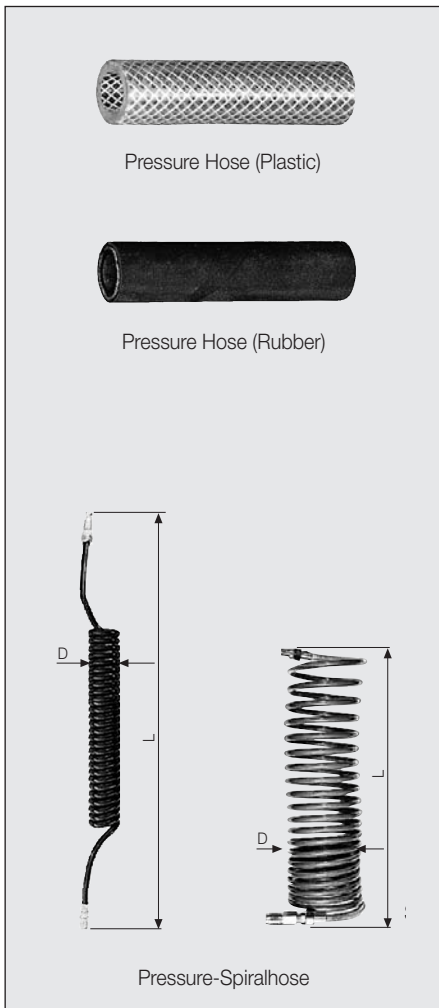
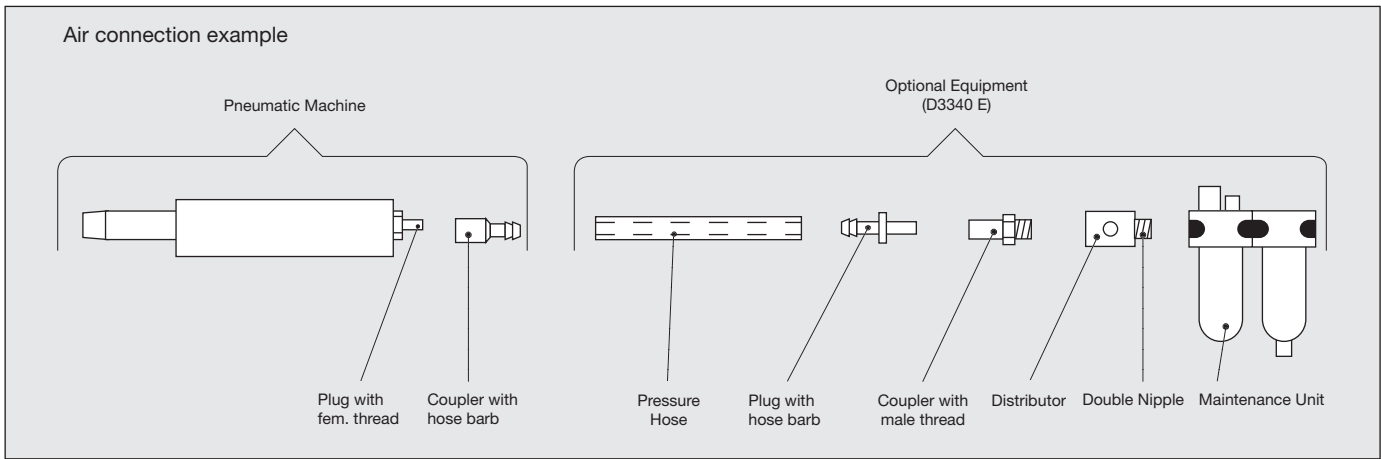


# DEPRAG

## Workplace equipment and accessories

- Air Supply and Air Exhaust
- Air Generation
- Additional Equipment for Screwdrivers
- Accessories for Screw Suction
- Screwdriver Suspension and Support
- Workplace and Accessories
- Measuring Electronic see leaflet D 3020 E / D 3022 E / D 3024 E
- Inserting Tools for Screwdrivers see leaflet D 3320 E














**Pressure Hoses, oil-resistant**

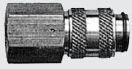


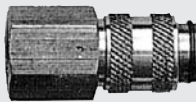


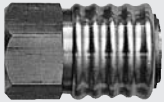



Plastic				Rubber			
I.D. mm / in.	O.D. mm / in.	Order No.	Comment	I.D. mm / in.	O.D. mm / in.	Order No.	Comment
3 / 1/8	5 / 13/64	806107	PE-tube black PVC with fabric supplement., black	7 / 1/4	16 / 5/8	806090	with fabric supplement black
4 / 5/32	6 / 1/4	811326		10 / 3/8	19 / 3/4	806091	
4 / 5/32	6.2 / 1/4	822126		13 / 1/2	23 / 29/32	806092	
6 / 1/4	8.2 / 21/64	806114/1		15 / 5/8	25 / 1	806093	
6 / 1/4	12 / 1/2	806095	PVC with fabric supplement, transparent	19 / 3/4	29 / 15/32	806094	
10 / 3/8	16 / 5/8	806096		25 / 1	39 / 19/16	806117	
12 / 1/2	21 / 13/16	806097					
16 / 5/8	24 / 115/16	806098					
19 / 3/4	29 / 15/32	806099					

**Pressure-Spiral hoses, Polyamid oil-resistant**

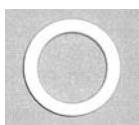
Hose I.D. mm / in.	D mm / in.	L-work length m / ft.	L-fully extend. max. m / ft.	Connection	Order No.
6 / 1/4	65 / 29/16	1 - 2.5 / 3.3 - 8.2	5 / 16.4	Thread 1/4" male	820274
10 / 3/8	130 / 51/8	0.3 - 4 / 1 - 13.1	7.5 / 24.6	Thread 3/8" male	805750 A
13 / 1/2	190 / 71/2	0.15 - 2.5 / 0.5 - 8.2	3.5 / 11.5	Thread 1/2" male	805749 A
13 / 1/2	190 / 71/2	0.3 - 5 / 1 - 16.4	7.5 / 24.6	Thread 1/2" male	805751 A
for MICROMAT-Screwdriver					
4 / 5/32	32 / 11/4	0.8 - 2 / 2.6 - 6.6	3 / 9.8	Plug 801555 / Coupler 820301	346697 D
for MINIMAT-Screwdriver (motor-size 1 and 2)					
6 / 1/4	65 / 29/16	1 - 2.5 / 3.3 - 8.2	5 / 16.4	Plug 323214 / Coupler 804282	346697 E
for MINIMAT-Screwdriver (motor-size 2.5 and 3)					
6 / 1/4	65 / 29/16	1 - 2.5 / 3.3 - 8.2	5 / 16.4	Plug 323214 / Coupler 804283	346697 F
Spiral hose antistatic for MINIMAT-ESD-Screwdriver (motor-size 1, 2, 2.5 and 3)					
7.5 / 19/64	65 / 29/16	0.8 - 2.5 / 2.6 - 8.2	3 / 9.8	Thread 1/4" male	346697 P

## Quick connect couplers and plugs

Plugs			Plugs			Couplers		
female thread	Thread	Order No.	male thread	Thread	Order No.	with hose barb	for Hose I.D. mm/in.	Order No.
	M 5 1/8"	804275 804308		M 5	804274		3 / 1/8 4 / 5/32	804254 820301
	1/8" 1/4"	328733 323213		1/8" 1/4"	804273 804270		4 / 5/32 6-7 / 1/4 6-7(90°) / 1/4	820367 804250 804240
	1/8" 1/4" 3/8"	829235 323214 804262		1/8" 1/4" 3/8" 1/2"	804265 804271 804289 804317		6-7/1/4 10 <sup>3</sup> /8 12-13/1/2	804251 804252 804253

Couplers			Couplers			Plugs		
female thread	Thread	Order No.	male thread	Thread	Order No.	with hose barb	for Hose I.D. mm/in.	Order No.
 nominal size 2.7 mm air flow approx. 200 l/min	M 5 1/8"	804258 804279	 nominal size 2.7 mm air flow approx. 200 l/min	M 5	801556		3 / 1/8	801554
 nominal size 5 mm air flow approx. 600 l/min	1/8" 1/4"	804288 804282	 nominal size 5 mm air flow approx. 600 l/min	1/8" 1/4"	801559 804286		4 / 5/32	801555
 nominal size 7.2 mm air flow approx. 1000 l/min	1/4" 3/8" 1/2"	804283 804284 804285	 nominal size 7.2 mm air flow approx. 1000 l/min	1/4" 3/8" 1/2"	804287 804280 804281		4 / 5/32	801565
							6-7/1/4 10 <sup>3</sup> /8 12-13/1/2	804290 804291 804292

## Seal Ring

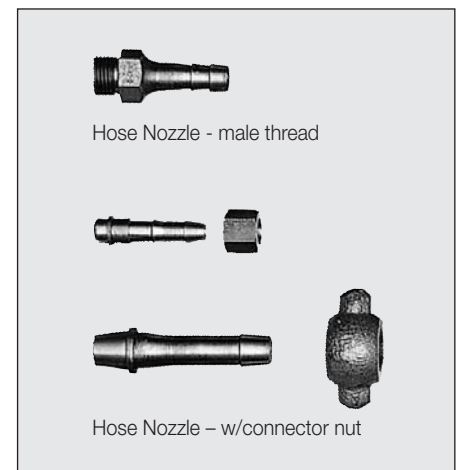
hard PVC	for thread	Order no.
	1/8"	811351
	1/4"	811286
	3/8"	811332
	1/2"	811401
	3/4"	811409

## Hose Nozzle

for Hose I.D. mm / in.	Thread	Order No.
6-7 / 1/4	1/8"	804307
6-7 / 1/4	1/4"	801280
6-7 / 1/4	3/8"	410538
10 / 3/8	1/4"	410541
10 / 3/8	3/8"	410539
10 / 3/8	1/2"	410516
12-13 / 1/2	3/8"	410540
12-13 / 1/2	1/2"	410543
12-13 / 1/2	3/4"	410517
15-16 / 5/8	3/8"	410544
15-16 / 5/8	1/2"	410509
15-16 / 5/8	3/4"	410518
19 / 3/4	1/2"	410545
19 / 3/4	3/4"	410507

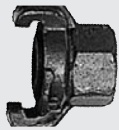
## Hose Nozzle

for Hose I.D. mm / in.	Thread	Nozzle Order No.	Nut Order No.
6-7 / 1/4	1/8"	410550	-
6-7 / 1/4	1/4"	410532	410533
10 / 3/8	1/4"	801271	incl.
10 / 3/8	3/8"	804300	804310
12-13 / 1/2	3/4"	804301	410546
15-16 / 5/8	3/4"	410547	410546
19 / 3/4	3/4"	410501	410600
12-13 / 1/2	round 32 mm x 1/8"	804302	804312
15 / 5/8	round 32 mm x 1/8"	804303	804312
19 / 3/4	round 32 mm x 1/8"	804304	804312

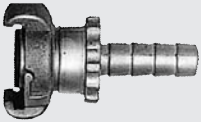




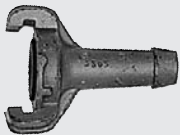
Claw Coupler – male thread



Claw Coupler – female thread



Safety Coupler



Claw Coupler



O-Ring



Hose Connector



Hose Clamp



Hose Clamp



Connector Plug

### Claw Couplers

male thread

Claw Coupler		O-Ring (Spare part) Order No.
Thread	Order No.	
3/8"	804350	804765
1/2"	804351	
3/4"	804352	
1"	804353	

### Claw Couplers

female thread

Claw Coupler		O-Ring (Spare part) Order No.
Thread	Order No.	
3/8"	804340	804765
1/2"	804341	
3/4"	804342	
1"	804343	

### Safety Couplers

with hose end

Safety Coupler		O-Ring (Spare part) Order No.
for Hose I.D. mm / in.	Order No.	
10 / 3/8	804330	829468
12-13 / 1/2	804331	
15-16 / 5/8	804332	
19 / 3/4	804333	
25 / 1	804334	

Claws can be easily coupled, when nut is un-tightened. By tightening of nut, complete sealing is achieved.

### Claw Couplers

with hose end

Claw Coupler		O-Ring (Spare part) Order No.
for Hose I.D. mm / in.	Order No.	
6-7 / 1/4	804320	804765
10 / 3/8	804321	
12-13 / 1/2	804322	
15-16 / 5/8	804323	
19 / 3/4	804324	
25 / 1	804328	

### Hose Connector

for Hose I.D. mm / in.	Order No.
10 / 3/8	804775
12-13 / 1/2	804776
15-16 / 5/8	804777
19 / 3/4	804778

### Hose Clamps

steel, zinc plated

for Hose I.D. mm / in.	O.D. of Hose mm / in.	Bracket range dia. mm / in.	Order No.
5.5-7 / 7/32-1/4	11-16 / 7/16-5/8	8-16 / 5/16-5/8	804785
10-13 / 3/8-1/2	19-23 / 3/4-29/32	16-25 / 5/16-1	804786
15-19 / 5/8-3/4	25-29 / 1-15/32	20-32 / 13/16-11/4	804788
25 / 1	39 / 117/32	32-50 / 11/4-2	804789

### Hose Clamps

cast iron, zinc plated

for Hose I.D. mm / in.	O.D. of Hose mm / in.	Order No.
13-16 / 1/2-5/8	22-29 / 7/8-15/32	804781
19 / 3/4	28-34 / 13/32-111/32	804782
25 / 1	32-40 / 11/4-19/16	804790

### Connector Plug

Male Size Tool	Male Thread Connector	Order No.
1/2"	Round 32 mm x 1/8"	410016
3/4"	Round 32 mm x 1/8"	410015

## Maintenance Unit and Filter-Regulator

Thread Size	Air Flow m <sup>3</sup> /min/cfm at 6 bar / 85 PSI	Complete Oiler/Filter		Portable Oiler/Filter without regulator	Filter with regulator
		without regulator	with regulator		
		Order No.	Order No.	Order No.	Order No.
1/4" f	0.05 - 0.5 / 1.8 - 18	820457 A	820454 A	357534 A	822408 A
1/2" f	0.15 - 1.5 / 5.3 - 53	820458 A	820455 A	357493 A	822409 A
3/4" f	0.8 - 6 / 28 - 212	821607 A	821608 A	357533 A	826982 A
1" f	0.8 - 6 / 28 - 212	821609 A	821179 A	357532 A	-
1 1/2" f	5 - 16 / 176 - 565	805044 A	-	-	-
with connection coupling for injector (screw suction)					
1/4" f	0.05 - 0.5 / 1.8 - 18	353710 A	353710 B	-	-

Application: The oiler is especially suitable for the lubrication of pneumatic tools with unstable air consumption. In contrast to standard oilers, above oiler will keep the mixture ratio of oil to air constant, because of the integrated compensation equipment. The mixture ratio is adjustable with the fill screw. Refilling can be done without interruption to the air flow. The filter removes solid components, oil and water, which are present in the compressed air. It also prevents pollution of the air tool and guards against functional breakdown. The filter-insert is washable. If air pressure is above 7 bar/99 PSI, it is recommended to mount a regulator between oiler and filter.

## Filter and Oiler

Thread Size	Air Flow m <sup>3</sup> /min/cfm at 6 bar / 85 PSI	Filter Order No.	Oiler Order No.
1/4" f	0.05 - 0.5 / 1.8 - 18	820462 A <sup>1)</sup>	820465 A <sup>1)</sup>
1/2" f	0.15 - 1.5 / 5.3 - 53	820463 A <sup>2)</sup>	820466 A <sup>2)</sup>
3/4" f	0.8 - 6 / 28 - 212	821559 A <sup>3)</sup>	821561 A <sup>3)</sup>
1" f	0.8 - 6 / 28 - 212	821174 A <sup>3)</sup>	821175 A <sup>3)</sup>
1 1/2" f	5 - 16 / 176 - 565	805012 A	805013 A

<sup>1)</sup> set of connection fittings for above 820498 A

<sup>2)</sup> set of connection fittings for above 820499 A

<sup>3)</sup> set of connection fittings for above 821177 A

## Regulators

Thread Size	Max. Air Flow m <sup>3</sup> /min/cfm at 6 bar / 85 PSI	maximum Inlet Pressure bar / PSI	maximum Outlet Pressure bar / PSI	Order No.
1/4" f	1.5 / 53	16 / 227	0.5 - 10 / 7 - 142	820488 A
1/2" f	5 / 176	16 / 227	0.5 - 10 / 7 - 142	820489 A
3/4" f	6.3 / 222	25 / 355	0.5 - 10 / 7 - 142	821998 A
1" f	6.3 / 222	25 / 355	0.5 - 10 / 7 - 142	821999 A

## Point-Of-Use Oiler

Thread Size	Number of Connection	Order No.	Comment
1/8"	1	378077 A	Very accurate point-of-use system (3-30 mm <sup>3</sup> per impulse) mainly for screwdrivers.
1/8"	2	378077 B	
1/8"	3	378077 C	
1/8"	4	378077 D	
1/8"	5	378077 E	
1/8"	6	378077 F	
1/8"	1	378077 H	The dosed quantity is not adjustable. Dosed quantity per impulse: 5 mm <sup>3</sup>

With our point-of-use oiler an optimum lifespan with minimum oil consumption can be achieved. At the same time the exhaust air will be oil-free.

## Special oil „DEPRAGOL”

for Air Tools

Content liter / gal.	Viscosity	Order No.
0.25 / 0.07	22 mm <sup>2</sup> /s at 40°C	790081 E
5 / 1.3		790081 F
10 / 2.6		790081 G

Characteristics: Free of resin and acid, humidity binding, with active substance combination for long term rust protection.

## Lubrication Grease

Content	Order No.
100 gr. / 0.22 lbs	807293
1 kg / 2.2 lbs	807294

Special Lubrication Grease for Gearing in DEPRAG Screwdrivers



Maintenance Unit 1/4" - 1"



Maintenance Unit 353710 A



Portable Oiler/Filter



Regulator



DEPRAGOL



Point-Of-Use Oiler



Single Shut-Off-Valve



Double Shut-Off-Valve

### Shut-Off-Valves

female thread	Single Valve	Double Valve
	Order No.	Order No.
3/4"	804745	804747
1"	806873	806874



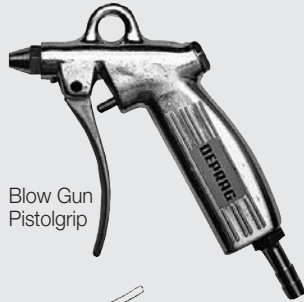
Ball Valve

### Ball Valves

female thread	Order No.
1/4"	803826
1/2"	803827
3/4"	803828
1"	803829
1 1/2"	803830
2"	803831

### Brass Seal (spare part for Shut-Off-Valves and Three-Way-Pieces)

Description	Order No.
Metal Sleeve	804767
Hose Ring	804768
Lock Screw	804769



Blow Gun Pistolgrip



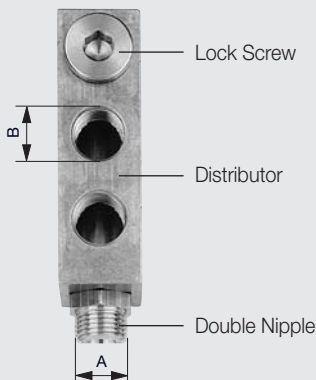
Blow Gun Straight

### Blow Gun, Aluminium, with Hose Nozzle

	Noise Level at 6 bar / 85 PSI		for Hose I.D.	Pistolgrip Aluminium	Straight Aluminium
	Pistolgrip	Straight			
	dB (A)	dB (A)	mm / in.	Order No.	Order No.
 Nozzle standard	86	90	6-7 / 1/4	804735	804725
			10 / 3/8	804736	804726
			12-13 / 1/2	804737	804727
 Nozzle silenced	65	72	6-7 / 1/4	803286	803280
			10 / 3/8	803287	803281
			12-13 / 1/2	803288	803282
 Nozzle silenced with safety umbrella	80	80	6-7 / 1/4	803289	803283
			10 / 3/8	803290	803284
			12-13 / 1/2	803291	803285

### Pressure-Distributor

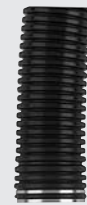
Input A	Distributor Output B	Order No.	Double Nipple Order No.	Lock Screw Order No.	Seal Ring Order No.
1/2"	3 x 1/2"	811440	811396 (1/2"-1/2")	811282 (1/2")	811401 (1/2")
1/2"	9 x 1/4"	330715	811396 (1/2"-1/2")	811281 (1/4")	811286 (1/4")



## Exhaust Hoses

Motor Size	Length m / ft.	Remark	Order No.
for MICROMAT/MINIMAT-Screwdrivers, straight			
0	1 / 3.28	-	806113
1	1 / 3.28	-	402957 A
2	1 / 3.3	-	389653 A*)
2.5	0.6 / 2	-	362734
3	0.6 / 2	-	398703 A
for MINIMAT-/Slip clutch Screwdrivers, pistol grip			
2 / 2.5 / 3	0.75 / 2.5	with air hose, length 2 m/6.6 ft.	330628 A
for MINIMAT-Screwdrivers, angle-head design			
2	1 / 3.3	-	389653 A*)
for Slip clutch Screwdrivers, straight/angle-head design			
2	1 / 3.3	-	389653 A*)

\*) not applicable for F-Screwdrivers



806113  
to  
398703 A



330628 A

## Exhaust Filter

Air Flow m <sup>3</sup> /min / cfm*)	Thread Size	Screwdrivers Motor Size	Number of Screwdrivers	Order No.
without Distributor				
1 / 35	1/2" f	-	-	811091
2 / 70	1" f	-	-	811048
with Distributor				
1 / 35	1/2" f	0	1 / 2 / 3	354433 A / B / C
2 / 70	1/2" f	0	4 / 5 / 6 / 7 / 8 / 9 / 10	354434 D / E / F / G / H / I / K
1 / 35	1/2" f	1	1 / 2	354433 A / B
2 / 70	1/2" f	1	3 / 4 / 5 / 6 / 7 / 8 / 9	354434 C / D / E / F / G / H / I
1 / 35	1/2" f	2	1 / 2	354433 A / B
2 / 70	1/2" f	2	3 / 4 / 5 / 6 / 7	354434 C / D / E / F / G
1 / 35	1/2" f	2.5 and 3	1	354433 A
2 / 70	1/2" f	2.5 and 3	2 / 3 / 4	354434 B / C / D
2 / 70	1/2" f	2 / 2	1 / 2 / 3	354434 A / B / C

\*) expanded air



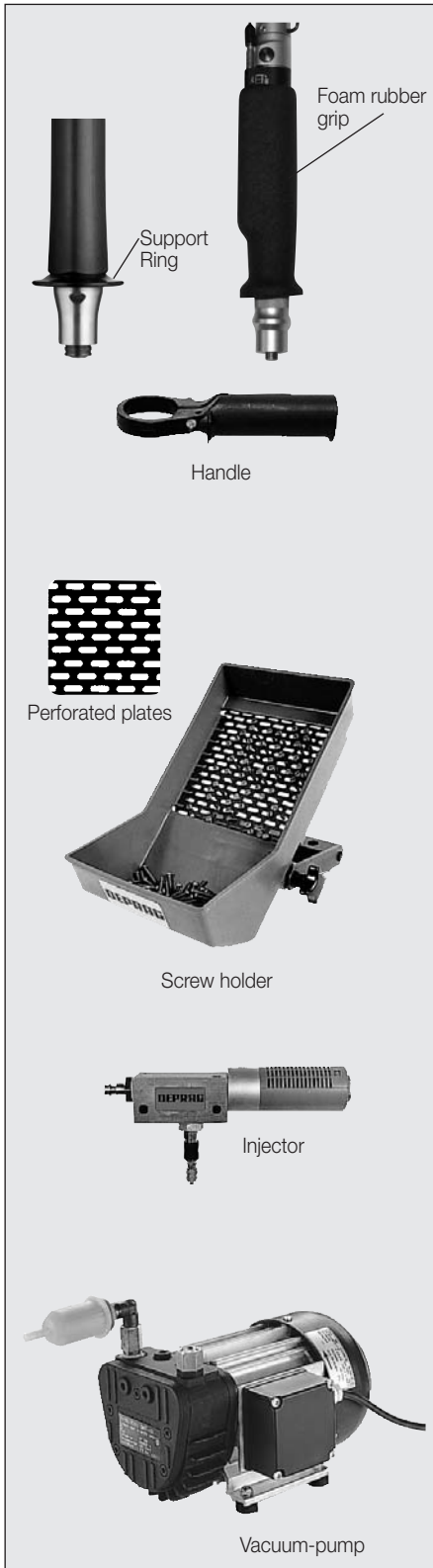
Exhaust Filter

## Flow sensor, with electr. Magnet switch, 24 VDC

Motor Size of tool	Air Flow m <sup>3</sup> /min / cfm	Air Connection	max. Switching Power mA	Connecting Cable Length mm / in.	Electr. Connection	Order No.
incl. Connector parts (nipple and coupling)						
0	0.15 / 5.3	i Ø 2.7	200	300 / 11.7	M8 x 1 - to be screwed on or plugged on	361645 C
1/2	0.35 / 12.3	i Ø 5.0	200	300 / 11.7		361645 B
2.5/3/2-2	0.65 / 23	i Ø 7.2	200	300 / 11.7		361645 A
without Connector parts						
-	0.8 / 28.2	1/4" f	200	300 / 11.7	PNP/closing	391397 A



Flow sensor



### Support Ring

Screwdriver Motor Size	Remark	Order No.
1	for straight screwdrivers	3870321
2	with Push-to-Start (not applicable for Z-Screwdrivers)	389775 A
3		398704 A

### Foam rubber grip

Screwdriver Motor Size	Remark	Order No.
0	for straight screwdrivers *)	833058
1	not applicable for ESD- and Z-Screwdrivers)	821702
2		821703
3		821704

\*) not applicable for screwdrivers with lever start

### Handles

Screwdriver Motor Size	Order No.	Order No. (in connection with screw feeder)
for MINIMAT-Screwdrivers, straight		
1	354660 B	354660 B
2	328536 L	-
2.5	360749	360749/1
3	328756 A	-
for MINIMAT-Screwdrivers, pistol grip		
3	333834 A	-

### Screw holder

Colour	Order No.
red	390400 A
blue	390400 C
green	390400 D

### Perforated plates for Screw holder

for screws Ø mm / in.	Perforation mm / in.	Order No.
2 / 5/64	2.5 x 20 / 3/32 x 25/32	390322
2.5 / 3/32	3 x 15 / 1/8 x 19/32	390317
3 / 1/8	4 x 25 / 5/32 x 63/64	390318
4 / 5/32	5 x 20 / 13/64 x 25/32	390319
5 / 13/64	6 x 20 / 15/64 x 25/32	390320
6 / 15/64	7 x 20 / 9/32 x 25/32	390321

Plastic container in different colours, adjustable, perforated plates for different screw dia., exchangeable.

### Injector, Vacuum-Pump for screw suction

Suction volume l/min - cfm	Vacuum bar / PSI	Noise level dB (A)	Air consumption l/min - cfm	Motor kW / V / Hz	Order No.
Injector					
23 - 0.8	0.8 / 11	52	50 - 1.8	-	326813 A
Doubleinjector					
46 - 1.6	0.8 / 11	52	100 - 3.6	-	354987 A
Vacuum-Pump VP 100, oil free					
100 - 3.5	0.85 / 12	62	-	0.25/230/50	360832 A
100 - 3.5	0.85 / 12	62	-	0.30/115/60	360832 B

Injector must be used with vacuum interruption

### Vacuum Hose, plastic

I.D. mm / in.	O.D. mm / in.	Order No.
3 / 1/8	5 / 3/16	806107

### Measuring Electronic

various Piezo-electric transducers	see leaflet D 3020 E
Torque-Measuring Instruments for manual use	see leaflet D 3022 E
Torque-Measuring Instruments for Screw-Assembly Stations with Piezo Quartz Screwdriver Spindles	see leaflet D 3024 E

## Balancers

Capacity kg / lbs.	max. Cable travel m / ft.	Weight kg / lbs.	Order No.
without vacuum interruption			
0 - 0.5 / 0 - 1.1	1.6 / 5.2	0.5 / 1.1	827676 A
0.3 - 1.2 / 0.7 - 2.6	1.6 / 5.2	0.5 / 1.1	827677 A
1 - 2 / 2.2 - 4.4	1.6 / 5.2	0.5 / 1.1	827678 A
2 - 3 / 4.4 - 6.6	2 / 6.5	0.8 / 1.8	808690 D
2 - 5 / 4.4 - 11	3 / 9.8	3.1 / 6.8	829592 A
4 - 6 / 8.8 - 13.2	3 / 9.8	3.2 / 7	829592 B
6 - 8 / 13.2 - 17.6	3 / 9.8	3.3 / 7.3	829592 C
8 - 10 / 17.6 - 22	2 / 6.5	3.4 / 7.5	829592 D
12 - 20 / 26.4 - 44	2 / 6.5	15.9 / 35	810350 C
20 - 30 / 44 - 66	2 / 6.5	16.3 / 36	810351 C
30 - 45 / 66 - 99	2 / 6.5	18 / 39.6	810352 C
45 - 60 / 99 - 132	2 / 6.5	18.4 / 40.5	810353 C
with vacuum interruption for screwdrivers with screw suction *)			
0 - 0.5 / 0 - 1.1	1.6 / 5.2	0.6 / 1.3	391366 A
0.3 - 1.2 / 0.7 - 2.6	1.6 / 5.2	0.6 / 1.3	391366 B
1 - 2 / 2.2 - 4.4	1.6 / 5.2	0.6 / 1.3	391366 C
with conical rope barrel in order to balance the suspended load at any required pulling level			
0.4 - 1.2 / 0.88 - 2.6	1.5 / 4.9	1.3 / 2.9	828003 A
1.2 - 2.6 / 2.6 - 5.7	1.5 / 4.9	1.4 / 3	828003 B
2.6 - 3.8 / 5.7 - 8.4	1.5 / 4.9	1.5 / 3.3	828003 C
3.8 - 5.2 / 8.4 - 11.4	1.5 / 4.9	1.5 / 3.3	828003 D
5.2 - 6.5 / 11.4 - 14.3	1.5 / 4.9	1.5 / 3.3	828003 E

\*) Injector is optional equipment

## Hose Balancers

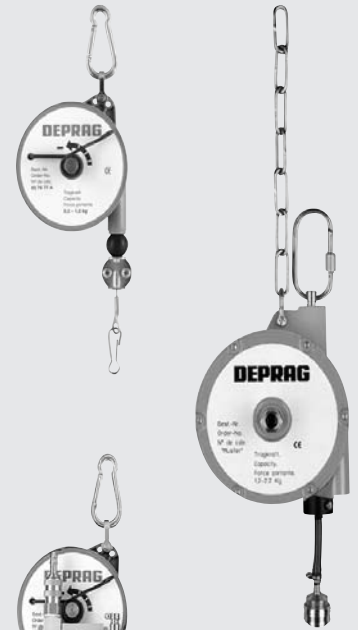
Capacity kg / lbs.	max. Hose length m / ft.	Hose I.D. mm / in.	Air connection	Weight kg / lbs.	Order No.
0.4 - 1.2 / 0.9 - 2.6	0.8 / 2.6	5 / 13/64	1/4" f / Coupler 804251	1.2 / 2.6	824069 A
1.2 - 2.2 / 2.2 - 4.8	0.8 / 2.6	5 / 13/64	1/4" f / Coupler 804251	1.3 / 2.8	824069 B
2.2 - 3 / 4.8 - 6.6	0.8 / 2.6	5 / 13/64	1/4" f / Coupler 804251	1.4 / 3	824069 C

With the DEPRAG Balancers, Tools, Machines and Parts can be suspended completely balanced, at any height and moved up and down effortless. The balancers are suspended in such a way that the required work height is within the available stroke height.

## Spiralhoses

for Balancers with vacuum interruption

Hose I.D. mm / in.	D mm / in.	L - work length m / ft.	L - fully extended max. m / ft.	Connection	Order No.
for Supply Air MICROMAT-Screwdriver					
4 / 5/32	32 / 1 1/4	0.8 - 2 / 2.6 - 6.6	3 / 9.8	Plug 801555/Coupler 820301	346697 D
for Supply Air MINIMAT-Screwdriver (Motor Size 1)					
4 / 5/32	32 / 1 1/4	0.8 - 2 / 2.6 - 6.6	3 / 9.8	Plug 801555/Coupler 820367	346697 H
for Supply Air MINIMAT-Screwdriver (Motor Size 2)					
6 / 1/4	65 / 2 9/16	1 - 2.5 / 3.3 - 8.2	5 / 16.4	Plug 323213/Coupler 804282	346697 K
Vacuum Hose with connection for Injector (Screwdriver Motor Size 0, 1 and 2)					
4 / 5/32	32 / 1 1/4	0.8 - 2 / 2.6 - 6.6	3 / 9.8	Plug 820366	346697 J



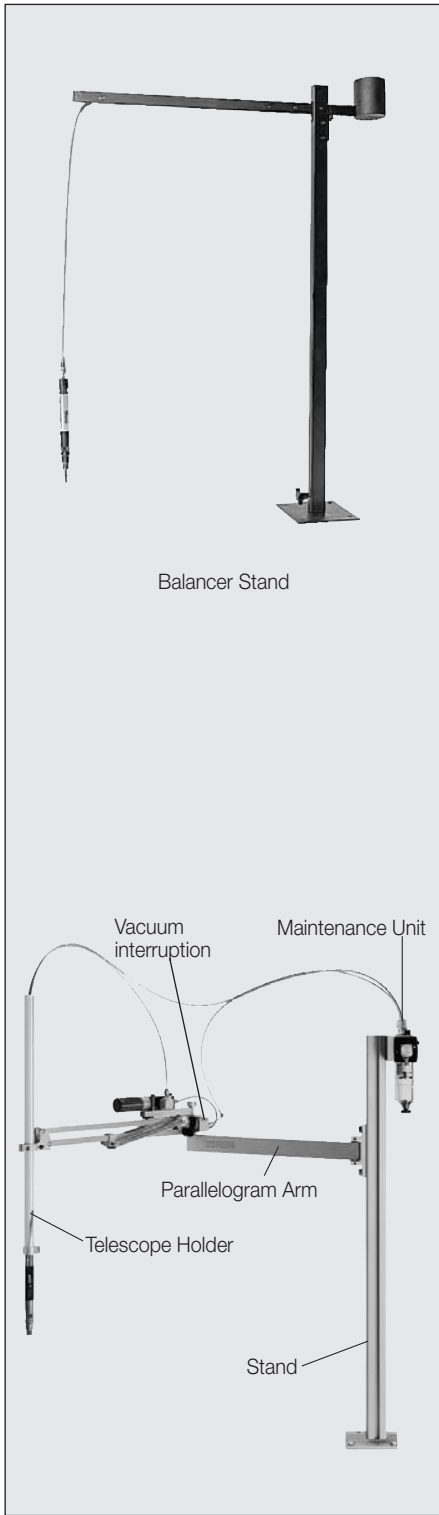
Hose Balancers



Balancers



Spiralhose



Balancer Stand

### Balancer Stand

for Screwdriver, straight (Motor Size 0)

Capacity kg / lbs	Working area mm / in.	Height mm / in.	Order No.
0.2 - 0.26 / 0.44 - 0.57	540 - 640 / 21 <sup>1</sup> / <sub>4</sub> - 25 <sup>1</sup> / <sub>4</sub>	750 / 29 <sup>1</sup> / <sub>2</sub>	324348 H
with Maintenance Unit and vacuum interruption for screw suction *)			
0.2 - 0.26 / 0.44 - 0.57	540 - 640 / 21 <sup>1</sup> / <sub>4</sub> - 25 <sup>1</sup> / <sub>4</sub>	750 / 29 <sup>1</sup> / <sub>2</sub>	324348 G
with Maintenance Unit, vacuum- and supply air interruption *)			
0.2 - 0.26 / 0.44 - 0.57	540 - 640 / 21 <sup>1</sup> / <sub>4</sub> - 25 <sup>1</sup> / <sub>4</sub>	750 / 29 <sup>1</sup> / <sub>2</sub>	324348 I

\*) Injector is optional equipment

### Parallelogram Arm

for Screwdriver, straight

Capacity kg / lbs	Working area mm / in.	Height mm / in.	Order No.	
			Motor Size 0	Motor Size 1
for Screwdriver, straight				
with Flange (for wall mounting)				
1 / 2.2	400 - 830 / 15 <sup>3</sup> / <sub>4</sub> - 32 <sup>11</sup> / <sub>16</sub>	-	403556 B	403556 A
with Stand				
1 / 2.2	400 - 830 / 15 <sup>3</sup> / <sub>4</sub> - 32 <sup>11</sup> / <sub>16</sub>	820 / 32 <sup>1</sup> / <sub>4</sub>	403556 D	403556 C
with Stand and Maintenance Unit				
1 / 2.2	400 - 830 / 15 <sup>3</sup> / <sub>4</sub> - 32 <sup>11</sup> / <sub>16</sub>	820 / 32 <sup>1</sup> / <sub>4</sub>	403556 F	403556 E
with Stand, Maintenance Unit and vacuum interruption *)				
1 / 2.2	400 - 830 / 15 <sup>3</sup> / <sub>4</sub> - 32 <sup>11</sup> / <sub>16</sub>	820 / 32 <sup>1</sup> / <sub>4</sub>	403556 H	403556 G
with Stand, Maintenance Unit, vacuum- and supply air interruption *)				
1 / 2.2	400 - 830 / 15 <sup>3</sup> / <sub>4</sub> - 32 <sup>11</sup> / <sub>16</sub>	820 / 32 <sup>1</sup> / <sub>4</sub>	403556 I	-
for Screwdriver MICROMAT-F				
with Flange (for wall mounting)				
1 / 2.2	400 - 830 / 15 <sup>3</sup> / <sub>4</sub> - 32 <sup>11</sup> / <sub>16</sub>	-	403556 A	-

\*) Injector is attached

Spring loaded arm returns to initial start position. Telescope Holder is adjustable in height.

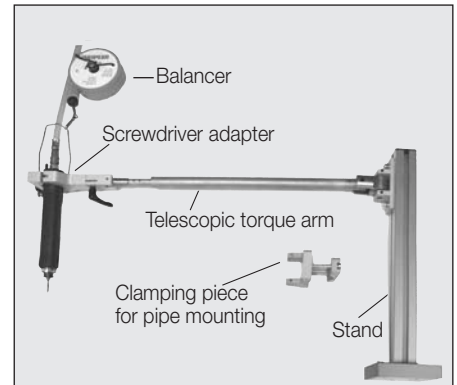
## Telescopic torque arm

for Screwdriver, straight

for torque reaction up to Nm / in.lbs	Working area mm / ft.	Height max. mm / ft.	Order No.
15 / 130 22 / 195	430 - 925 / 1.4 - 3 540 - 1200 / 1.8 - 3.9	- -	408351 A 408351 B
Optional Equipment Stand		400	408351 C
Clamping piece for pipe mounting (Clamping range dia. 25 - 50 mm)		-	408351 D

Required accessories: Screwdriver adapter or V-mounting bracket (see page 12 and 13).  
Please order separately!

Please find suitable balancers on page 9.



## Linear-Stand

for screwdriver, straight

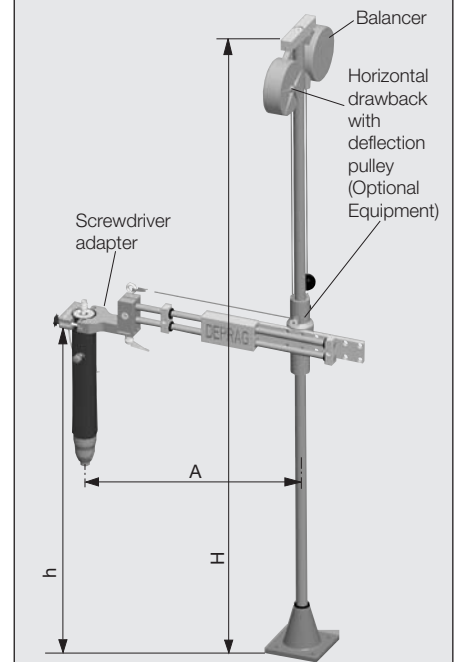
for torque reaction up to Nm / in.lbs	Working area A mm / in.	Height h mm / in.	Height H mm / in.	Weight of Horizontal arm kg / lbs.	Order no.
20 / 177	295 - 600 11 <sup>39</sup> / <sub>64</sub> - 23 <sup>5</sup> / <sub>8</sub>	120 - 740 4 <sup>23</sup> / <sub>32</sub> - 29 <sup>1</sup> / <sub>8</sub>	1220 / 47.6	2 / 4.4	408010 A
50 / 443	300 - 720 11 <sup>13</sup> / <sub>16</sub> - 28 <sup>11</sup> / <sub>32</sub>	190 - 570 7 <sup>31</sup> / <sub>64</sub> - 22 <sup>7</sup> / <sub>16</sub>	1220 / 47.6	6.7 / 14.7	408010 B
150 / 1328	300 - 720 11 <sup>13</sup> / <sub>16</sub> - 28 <sup>11</sup> / <sub>32</sub>	190 - 570 7 <sup>31</sup> / <sub>64</sub> - 22 <sup>7</sup> / <sub>16</sub>	1220 / 47.6	13.7 / 30.1	408010 C

Required accessories: Balancer (see page 9) and Screwdriver adapter (not turnable or turnable) or V-mounting bracket (see page 12/13) please order separately!

Optional Equipment: Horizontal drawback

Please consider both the weight of the horizontal arm and of the screwdriver in order to select the appropriate balancer.

We highly recommend to use 2 balancers to spread the total weight more evenly.



Linear-Stand

## Horizontal drawback with deflection pulley \*)

Remark	Order no.
Suitable for Linear-stand No. 408010 A	379822 A
Suitable for Linear-stand No. 408010 B/C	379822 D

\*) only possible with only one balancer

## Parallelogram-Stand

for Screwdriver, straight

for torque reaction up to Nm / in.lbs	Capacity kg / lbs	Working area mm / in.	Height max. mm / in.	Order No.
45 / 400	0 - 2 / 0 - 4.4	150 - 610 / 5 <sup>7</sup> / <sub>8</sub> - 24	600 / 23 <sup>5</sup> / <sub>8</sub>	406253 A

Parallelogram-Stand with adjustable starting position, spring loaded.

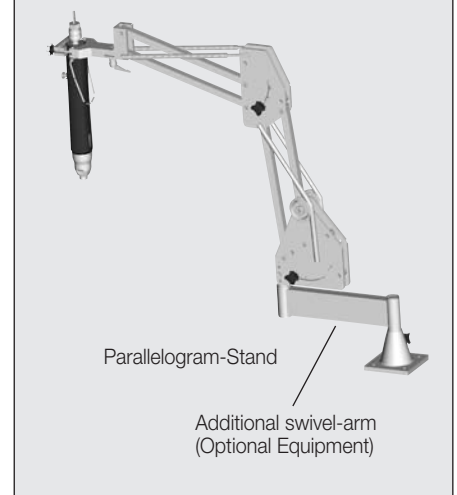
Required accessories: Screwdriver adapter or V-mounting bracket (see page 12/13) please order separately!

Optional Equipment: Additional swivel-arm

## Additional swivel-arm

for Parallelogram-Stand 406253 A

Working area mm / in.	Order No.
250 / 9 <sup>7</sup> / <sub>8</sub>	347607
400 / 15 <sup>3</sup> / <sub>4</sub>	811733 A



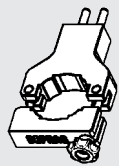
Parallelogram-Stand

Additional swivel-arm  
(Optional Equipment)

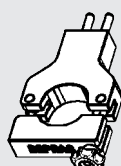
**Required accessories**  
for Linear Stand and Parallelogram-Stand

**Screwdriver adapter, not turnable – standard version**  
for screwdrivers, straight (with and without screwfeeding machines)

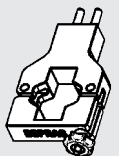
for Pneumatic Screwdrivers	Order No.
<b>straight version with push-to-start</b>	
Motor Size 1 and 3	400833 A
Motor Size 2 and 2.5	400833 B
<b>straight version with lever start</b>	
Motor Size 2 / 2.5 and 3	400833 C
<b>straight version QC (e.g. 346 QC-x38 U)</b>	
Motor Size 3	400833 D
<b>straight version with remote start, stationary</b>	
Motor Size 4 (stand 408010 C)	400833 K
for Electrical Screwdrivers	Order No.
<b>EC-Servo Screwdriver MINIMAT-E</b>	
type series 310E30.. (stand 408010 A/B/C)	3957111
type series 310E36.. (stand 408010 A/B/C)	9498001
type series 310E56.. (stand 408010 B)	920631
type series 310E56.. (stand 408010 C)	920632
<b>EC-Screwdriver MICROMAT-E</b> (without screwfeeder / with screwfeeder)	400833 H / 400833 I
type series 320EGx19-..	
<b>EC-Screwdriver MINIMAT-E</b>	
type series 320EGx27-..	400833 G
type series 320EGx36-..	400833 O



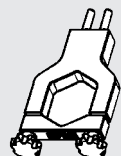
400833 A



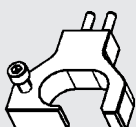
400833 B



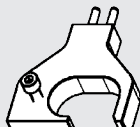
400833 C



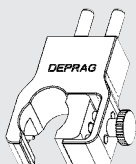
400833 D



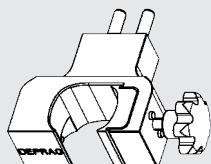
3957111



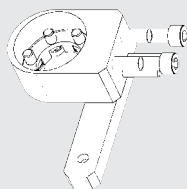
9498001



400833 H



400833 G



400833 K

**Required accessories**  
for Linear Stand and Parallelogram-Stand

<b>Screwdriver adapter, not turnable – standard version</b>		
<b>for Screwdrivers with pistol grip</b>		
		Order No.
for pneumatic screwdrivers	for electrical screwdrivers	
Motor Size 2	320EPT27-..	367300 A
Motor Size 2.5	–	367300 B
Motor Size 3	–	367300 C

<b>Screwdriver adapter, not turnable – standard version</b>		
<b>for Screwdrivers with angle head design</b>		
		Order No.
for pneumatic screwdrivers	for electrical screwdrivers	
Motor Size 3 (stand 408010 B/C)	–	400833 N
Motor Size 4 (stand 408010 B/C)	–	400833 L

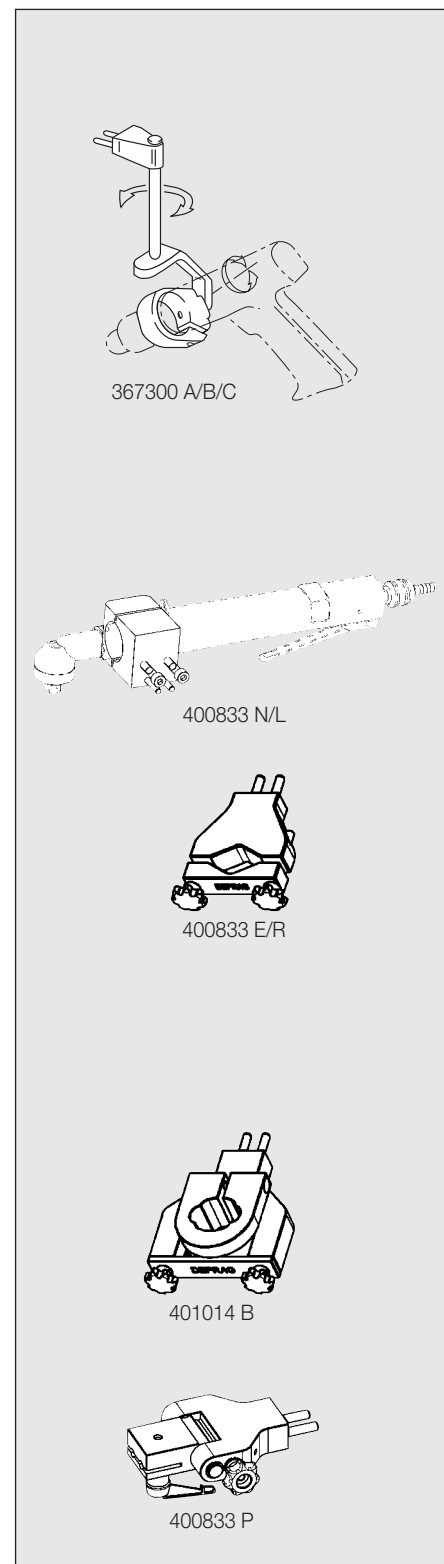
<b>V-mounting bracket</b>		
<b>all-purpose applications</b>		
	bracket range dia.	Order No.
for all tools upto a max torque of 20 Nm	20-44 mm/ <sup>25</sup> / <sub>32</sub> to 1 <sup>3</sup> / <sub>4</sub> in.	400833 E
for all tools upto a max torque of 40 Nm	44-63 mm/ 1 <sup>3</sup> / <sub>4</sub> to 2 <sup>31</sup> / <sub>64</sub> in.	400833 R

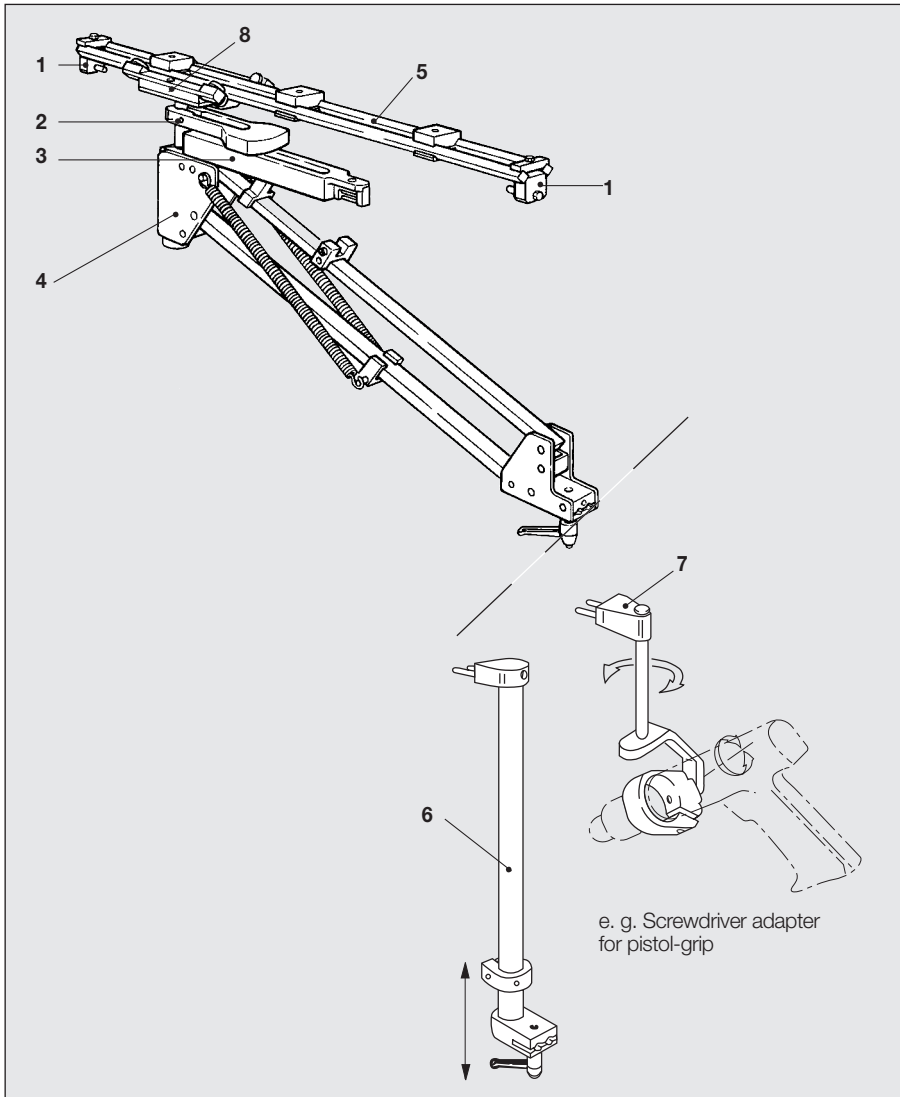
<b>Screwdriver adapter, turnable –</b>		
<b>Special version for screwdrivers in conjunction with screwfeeding machines only</b>		
<b>in tight and badly accessible locations</b>		
		Order No.
for pneumatic screwdrivers	for electrical screwdrivers	
Motor Size 1	–	401014 A
Motor Size 2	320EGZ27-..	401014 B
Motor Size 2.5	–	401014 D
Motor Size 3	–	401014 C

**Optional Equipment**

<b>Adapter, turnable 45° and 90°</b>	Order No.
<b>Suitable for all Screwdriver adapters*)</b>	400833 P

\*) not for screwdriver adapter no. 920632, 920631 and 400833 K





for Screwdriver - straight

for Screwdriver - pistolgrip,

### Rail-Guided Torque Relief Arm

This Parallelogram Arm is recommended for larger work areas above the workstation (ceiling-mount).

The Torque Relief Arm consists of the Parallelogram Arm with Guide Carriage (4), which slides on rails (5).

An integrated axis in the guide carriage allows the arm to swivel. The end stop (1) prevents the derailing of the guide carriage at the end of the rails.

The elevation stop (3) is required for the correct function of the lateral stop (2).

For the function of Parallelogram Arm (Pos. 4) positions 1 / 2 / 3 and 5 are also necessary.

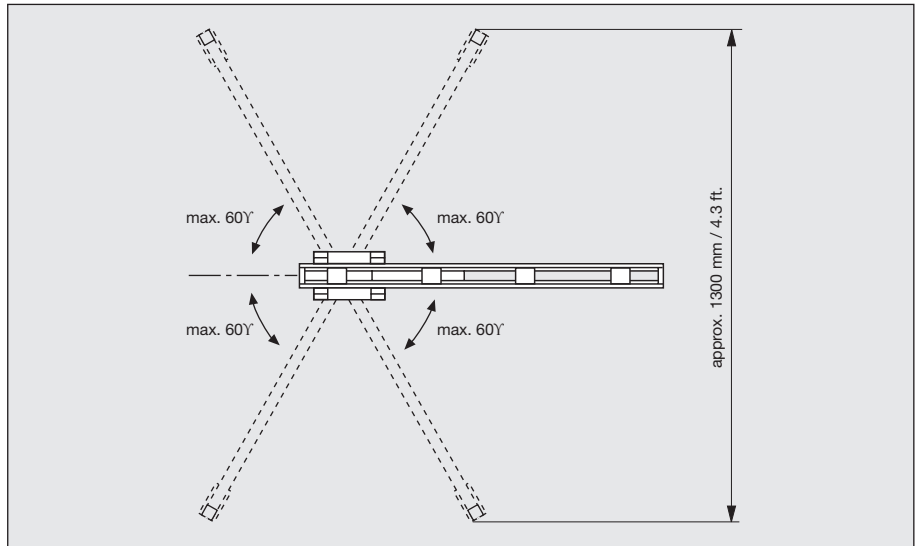
To hold screwdriver pos. 7 or pos. 6 together with pos. 7 are necessary.

### Rail-Guided Torque Relief Arm

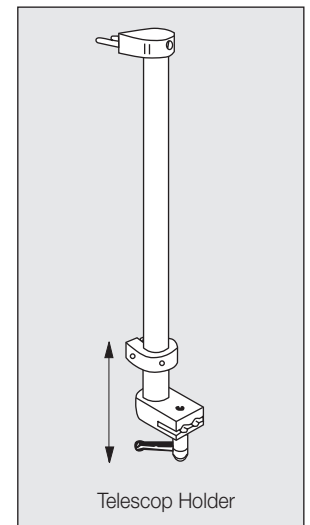
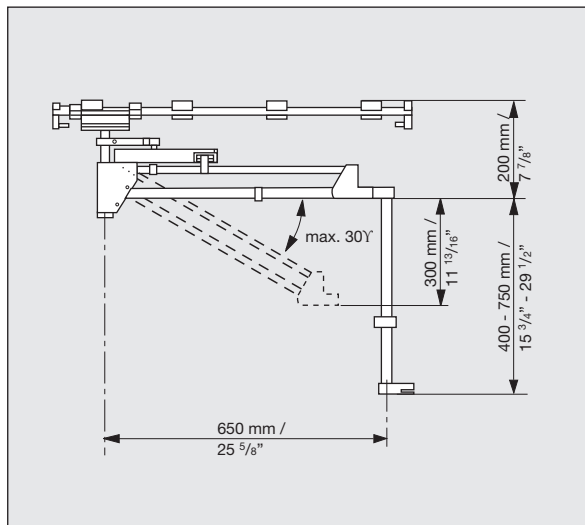
consisting of:

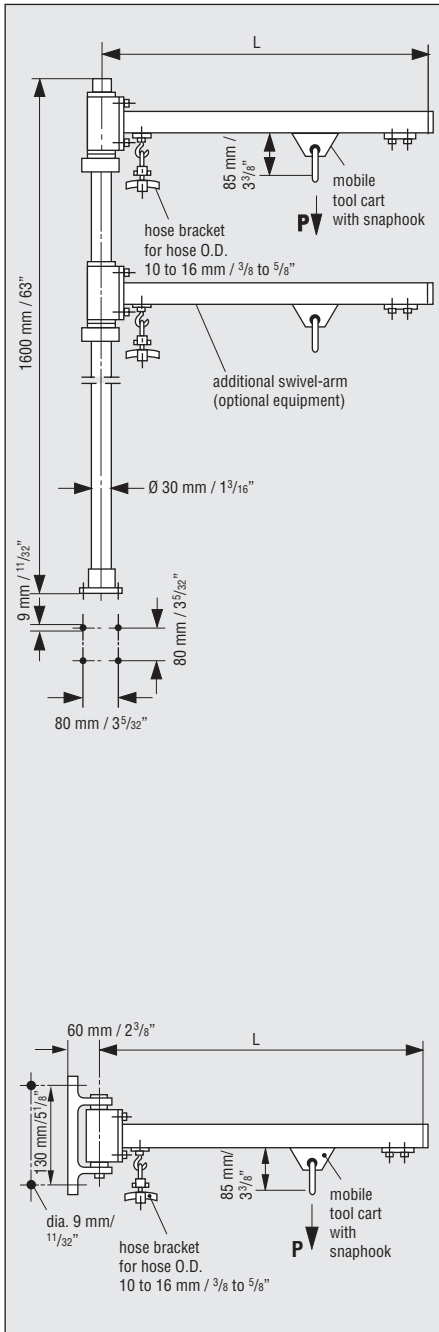
Pos.	Nomenclature	Order No.
1	End Stop	809911
2	Lateral Stop (functions only in connection with elevation stop)	809912
3	Elevation Stop	809913
4	Parallelogram Arm with Guide Carriage	809914
5	Guide Rail    Length 1 / 2 / 3 m - 3.3 / 6.6 / 10 ft.	809915/1-/2-/3
6	Telescope Holder	809907
7	Please find suitable screwdriver adapter on page 13	
8	Guide Carriage (separate) with aluminium plate 100 x 100 x 20 mm (3 <sup>15</sup> / <sub>16</sub> x 3 <sup>15</sup> / <sub>16</sub> x 2 <sup>5</sup> / <sub>32</sub> in.)	809910
4/2/3	Parallelogram Arm with Guide Carriage, Lateral- and Elevation Stop	809926 A

An angle larger than 60° between the rails and the parallelogram arm should be avoided, since it will result into sluggish positioning. Furthermore, it may also cause the guide carriage to move when reaching torque.



The rails are available in 1, 2 and 3 meter long pieces (3.3 ft., 6.6 ft. and 10 ft.). 3 meter long pieces (10 ft.) can be joined together. If the rails are installed high above the work station, the telescope holder should be used. This holder is adjustable in length from 400 mm (15 3/4 in.) to 750 mm (29 1/2 in.)





### Swivel-arm for table installation

Track profile C-rail 30 x 32 mm

Length (L) mm / in.	Capacity (P) kg / lbs	Order No.
630 / 24 <sup>13</sup> / <sub>16</sub>	16 / 35	811600 A
1000 / 39 <sup>3</sup> / <sub>8</sub>	10 / 22	811627 A

### Additional swivel-arm

Track profile C-rail 30 x 32 mm

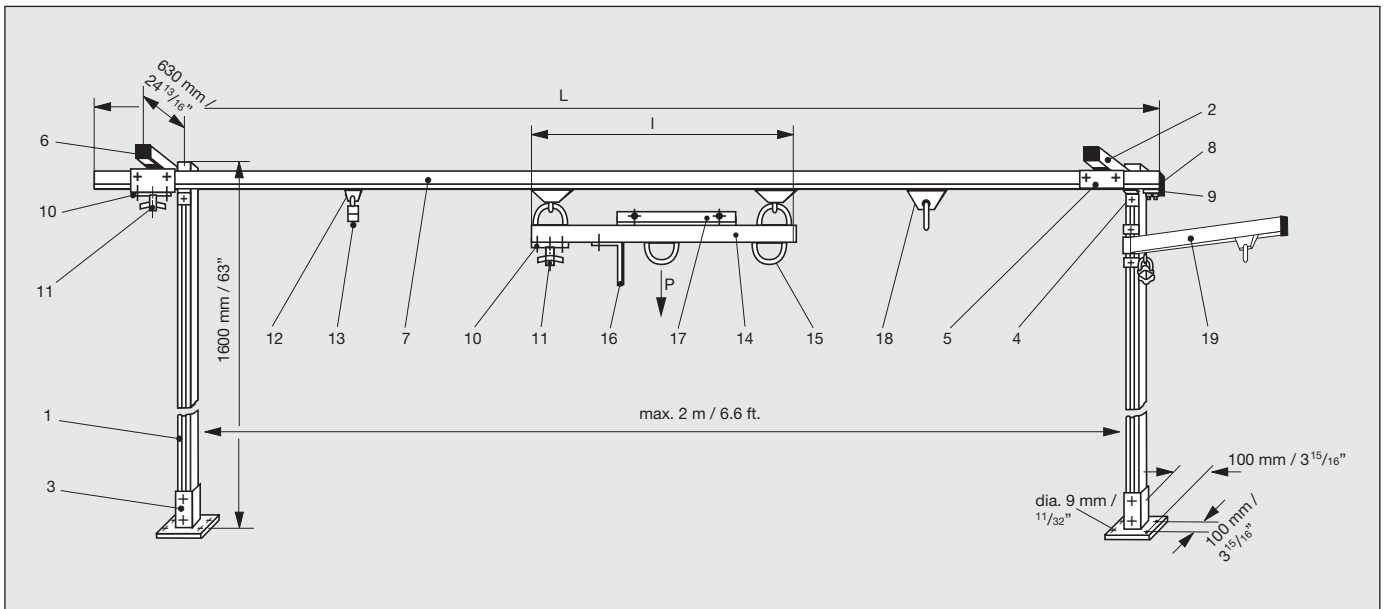
Length (L) mm / in.	Capacity (P) kg / lbs	Order No.
630 / 24 <sup>13</sup> / <sub>16</sub>	16 / 35	811601 A
1000 / 39 <sup>3</sup> / <sub>8</sub>	10 / 22	811630 A

### Swivel-arm for wall installation

Track profile C-rail 30 x 32 mm

Length (L) mm / in.	Capacity (P) kg / lbs	Order No.
630 / 24 <sup>13</sup> / <sub>16</sub>	20 / 44	811602 A
1000 / 39 <sup>3</sup> / <sub>8</sub>	16 / 35	811731 A

All swivel-arms are delivered with extended high arm tips. Through dismantling of a cone plate the arms can be set horizontally.



### Workbench equipment for table installation

		Order No.
track profile C-rail 30 x 32 mm L = 1.5 m / 4.9 ft., capacity P = 20 kg / 44 lbs complete 2 m / 6.6 ft.,                   16 kg / 35 lbs complete 2.5 m / 8.2 ft.,                16 kg / 35 lbs complete		811603 A 811604 A 811605 A
consists of:		
Pos. 1	stand (40 x 40 mm)	811615
2	arm (40 x 40 mm)	811616
3	foot complete	811617
4	arm bracket	811741
5	rail bracket complete	811619
6	locking cap for arm	811620
7	rail (30 x 32 mm)	L = 1.5 m / 4.9 ft.   811621 2 m / 6.6 ft.       811622 2.5 m / 8.2 ft.     811623
8	locking cap for rail	811624
9	end-lock	811625

### Air supply

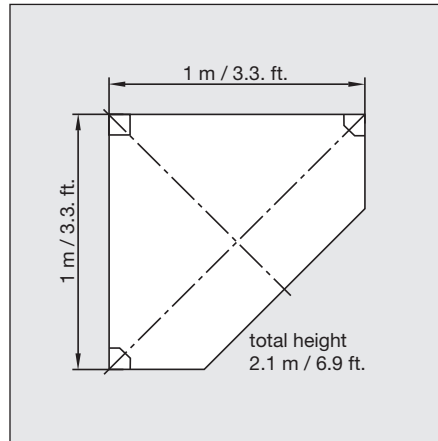
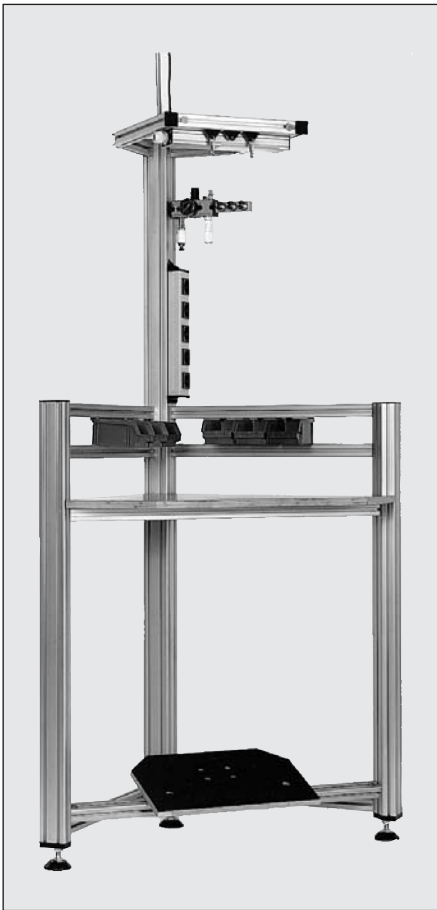
Pos. 10	locking clamp for installation of hose bracket (Pos. 11)	811606
11	hose bracket for pressure hose O.D. 10 to 16 mm / 3/8 to 5/8"	811607
12	hose cart top to combine with hose bracket (Pos. 13) for pressure hose hang-up in slipknots: 1 pc. needed up to rail length of 2 m / 6.6 ft. and 2 pcs. needed for rail length of 3 m / 10 ft.	811608
13	hose bracket for pressure hose O.D. 8 to 18 mm / 5/16 to 23/32"	811609

### Girder-cart with accessories

Pos. 14	girder-cart incl. 1 hanger, l = 500 mm / 19 11/16" for 1 screwdriver and 1 filter-lubricator or 2 screwdrivers to this:	811611
15	hanger (additional)	811613
16	metal bracket for filter-lubricator	811614
17	distribution piece with 4 x 3/8" f	811626
10	locking clamp (see above)	811606
11	hose bracket (see above)	811607

### Additional equipment

Pos. 18	mobile tool cart with snaphook	811610
19	swivel-arm for wall installation (see page 16)	811602 A / 811731 A



### Worktable AT 100

<p>Ergonomically designed Worktable</p> <p>with: Electrical Connection 230 V 115 V Filter/Regulator/Lubricator 1/4" 3-Way Air Distributor Worktable Lighting Footrest</p>	<table border="1"> <tr> <td data-bbox="1066 734 1436 772">Order No.</td> </tr> <tr> <td data-bbox="1066 772 1436 840">356465 B 356465 D</td> </tr> </table>	Order No.	356465 B 356465 D
Order No.			
356465 B 356465 D			

The special triangular design offers a flexible arrangement of the worktables as an individual workstation or can be combined into several workstations (to accommodate multiple operators).

<b>Screwdriver Stand</b> for Stationary Screwdriver Spindles	Screwdriver right-/left rotation Order No.	Screwdriver reversible Order No.
	335100 A	335100 A

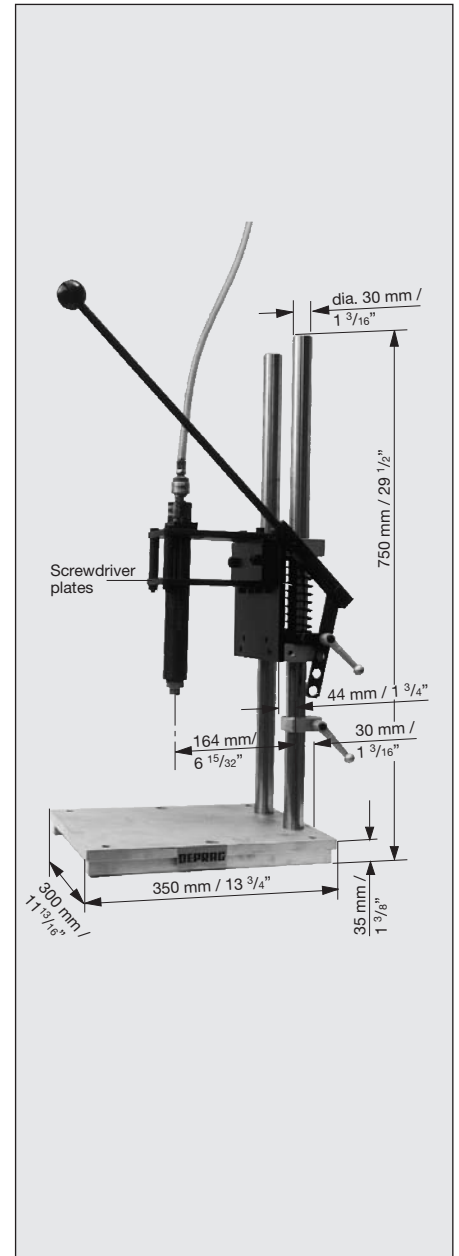
for this:

Screwdriver Plates (without Spindle Mounting Hole) for Control Screwdrivers		
(Motor Size 0)	336080 A	336080 A
(Motor Size 1)	336080 A	336080 A
(Motor Size 2, without and with Offset Gearing)	336080 C	336080 C
(Motor Size 3, without and with Reduction Gearing)	336080 C	336080 C
(Motor Size 2/2)	336080 C	336080 C
(Motor Size 4)	336080 C	336080 C

Screwdriver Plates (with 1 Spindle Mounting Hole) for Control Screwdrivers		
(Motor Size 0)	336081	336081
(Motor Size 1)	340995	340995
(Motor Size 2, without and with Offset Gearing)	338003/1	338003/1
(Motor Size 3, without and with Reduction Gearing)	326851	333953
(Motor Size 2/2)	341803	-
(Motor Size 4)	395717	395717

Screwdriver Plates (without Spindle Mounting Hole) for Control Screwdriver with Piezo Torque Sensor		
(Motor Size 0)	336080 A	-
(Motor Size 1)	336080 A	336080 A
(Motor Size 2)	336080 E	336080 E
(Motor Size 3)	336080 C	336080 C
(Motor Size 2/2)	336080 C	336080 C

Screwdriver Plates (with 1 Spindle Mounting Hole) for Control Screwdriver with Piezo Torque Sensor		
(Motor Size 0)	386055	-
(Motor Size 1)	340995	340995
(Motor Size 2)	339434	339434
(Motor Size 3)	326851	326851
(Motor Size 2/2)	341803	-



# DEPRAG

**DEPRAG SCHULZ GMBH u. CO.**

P.O. Box 1352, D-92203 Amberg, Germany  
Kurfürstenring 12-18, D-92224 Amberg  
Phone (09621) 371-0, Fax (09621) 371-120  
[www.deprag.com](http://www.deprag.com)  
[info@deprag.de](mailto:info@deprag.de)



CERTIFIED AS PER DIN EN ISO 9001

---